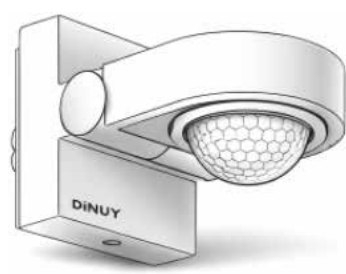


Quick start guide

Multi-function detectors
with selective coverage



DM SUP B1X



DM BRA B1X



DM TEC B1X



DM TEC B3X



DM TEC PAX

1 How do I get the app?

a. Download and install the app
DINUY - Configure

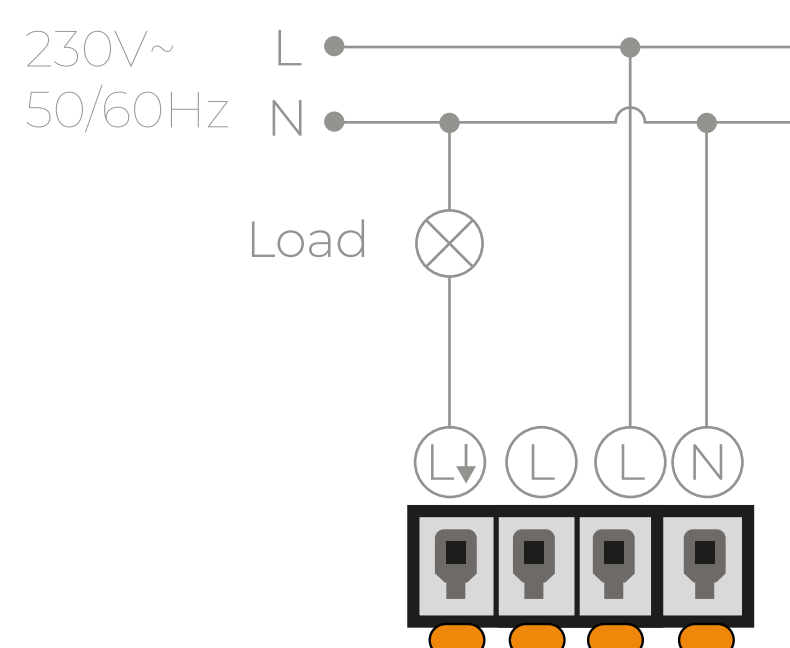
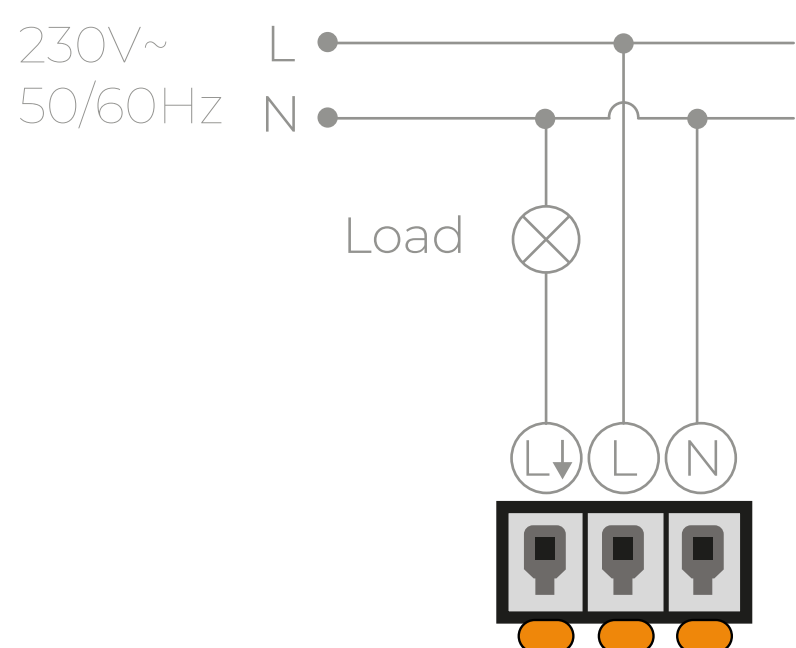
b. Sign up and verify the email you
receive to access the app.



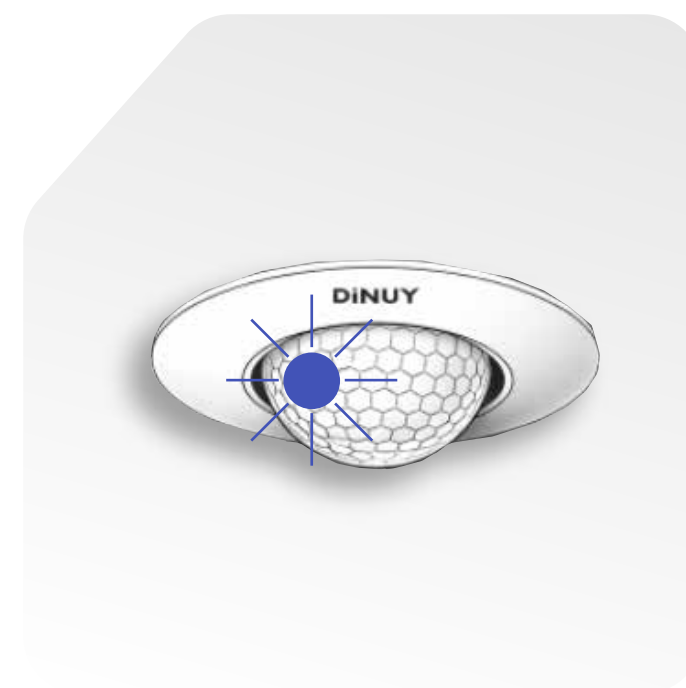
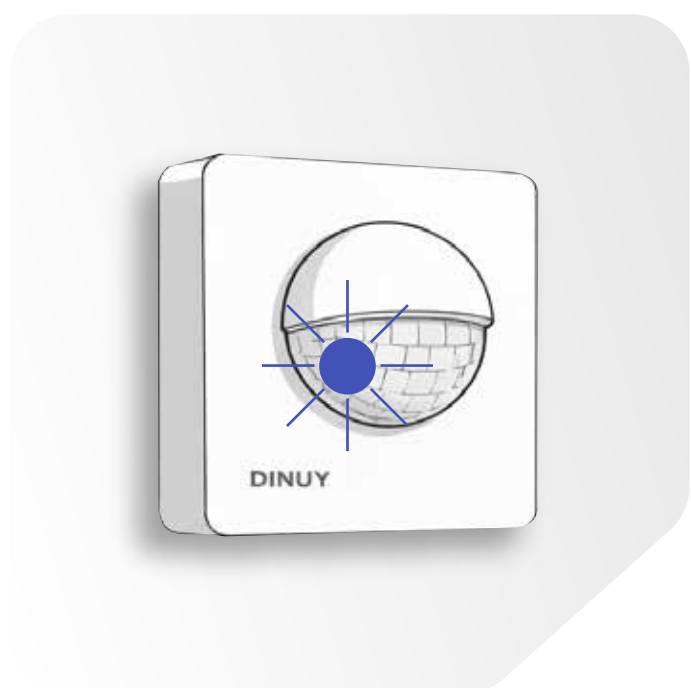
If you cannot find the email,
check your spam folder.

2 Detector installation

a. Install the detector following the wiring diagram.



b. The detector emits a blue light to indicate that Bluetooth is ready to receive data from the mobile phone.



It will remain on for 2 hours.

2 Factory settings

DINUY detectors are supplied with a "Plug & Play" configuration suitable for many applications such as:

- Operating mode: motion detector.
- Delay time: 1 minute.
- Brightness: disabled.
- Coverage: maximum.

To modify these parameters, use the DINUY - Configure app from your mobile phone.

a. Press " DETECTORS " .



b. Press " +New template " .

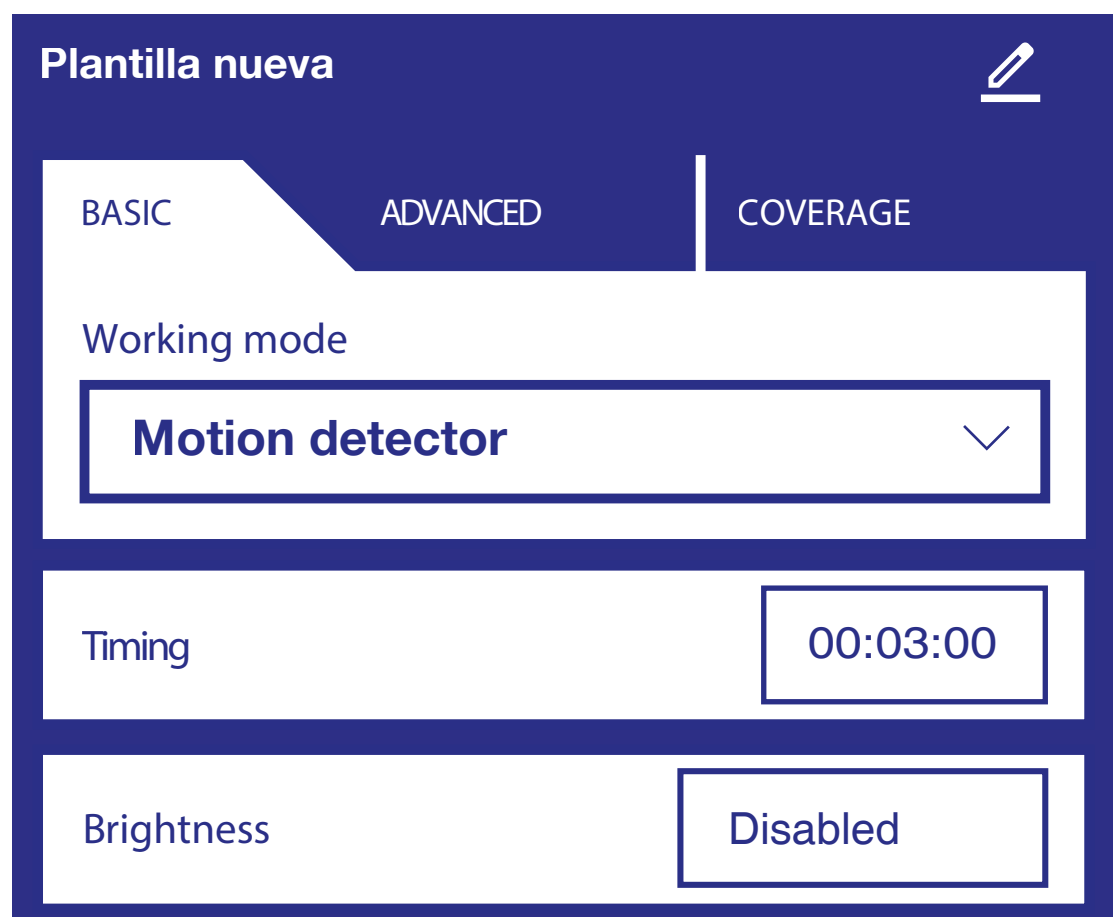


c. Select the model to configure.



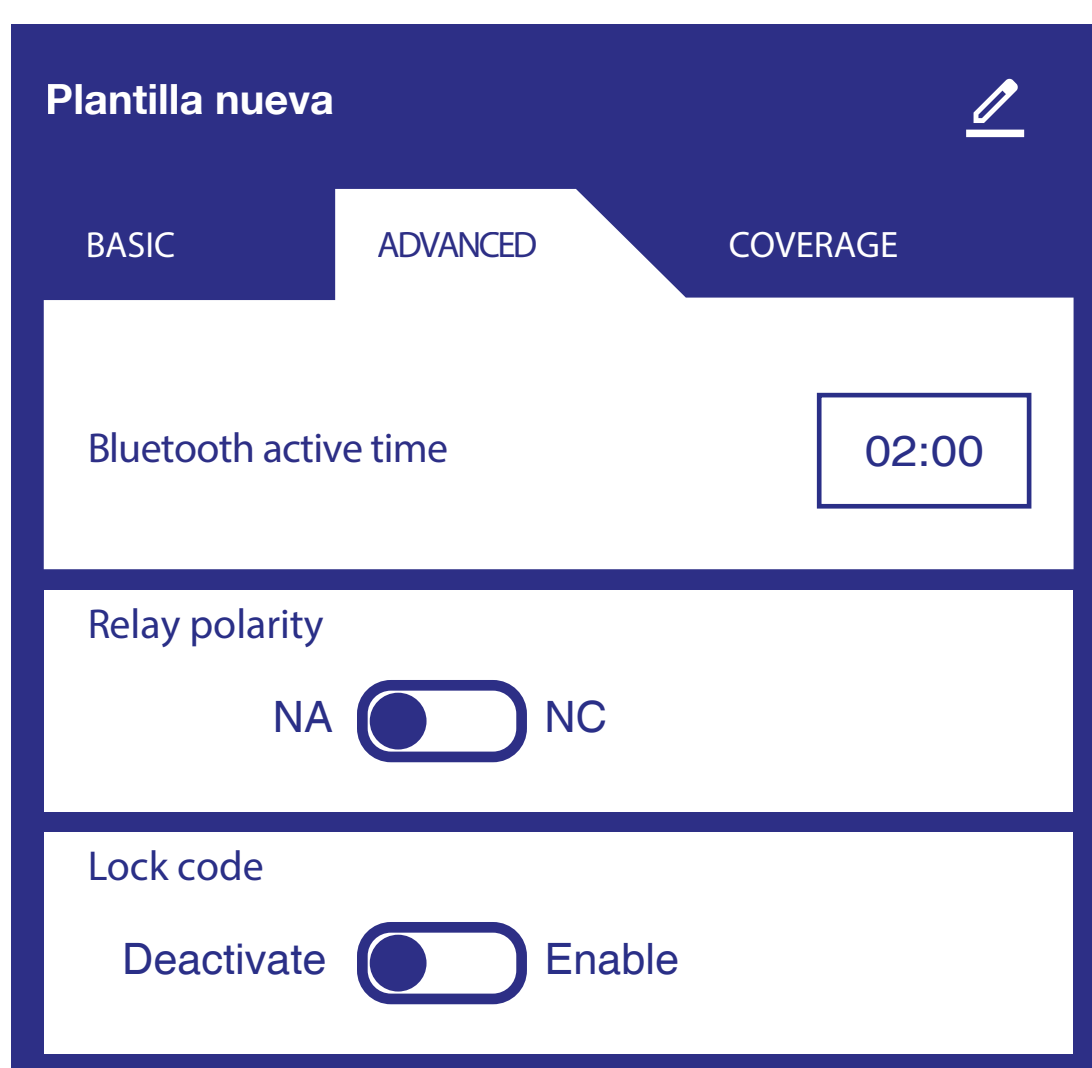
3 Settings: basic and advanced

d. In the BASIC tab, the main detector settings are selected.



- In « Working mode » you choose the detector operating mode:
 - Motion detector. Activated by movement.
 - Presence detector. Activated by movement and ambient light.
 - Twilight detector. Activated by ambient light.
- « Timing » sets how long it remains active after detection.
- « Brightness » sets the light threshold.

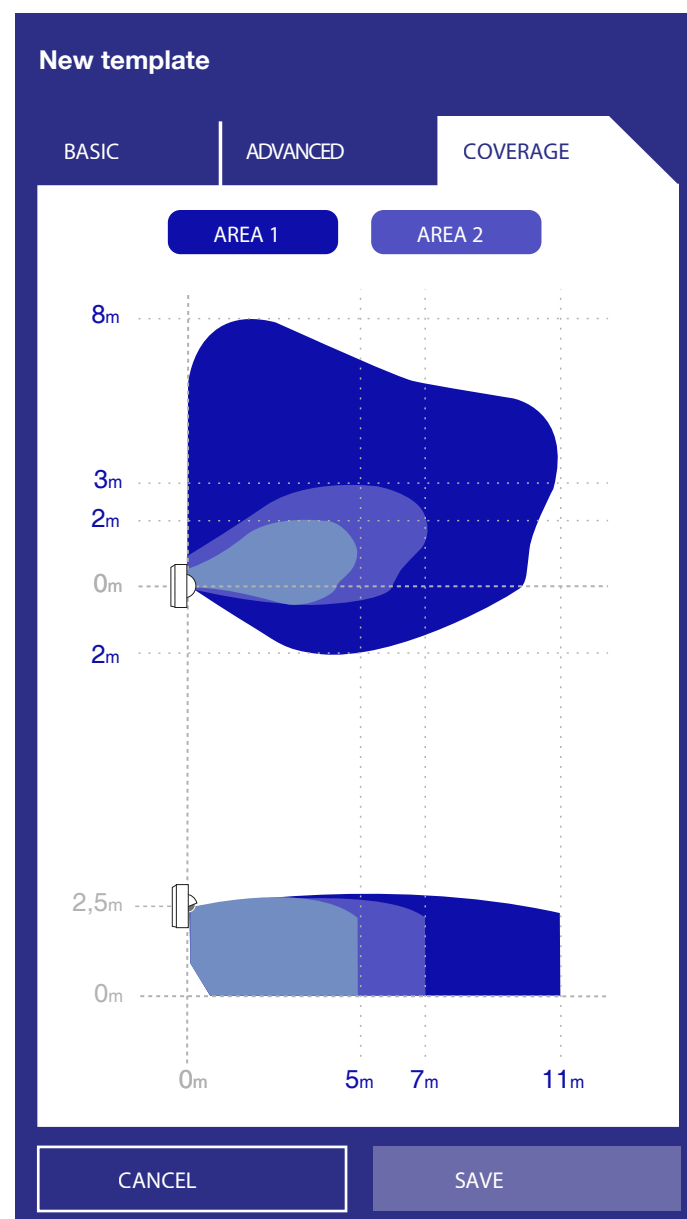
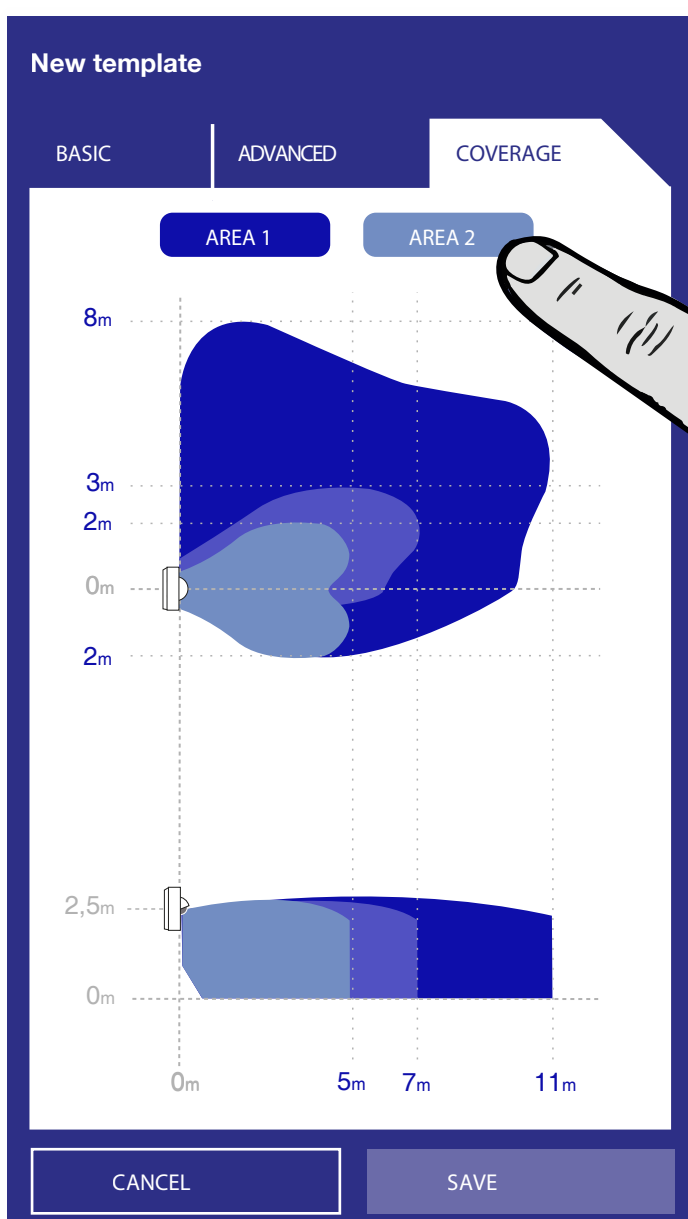
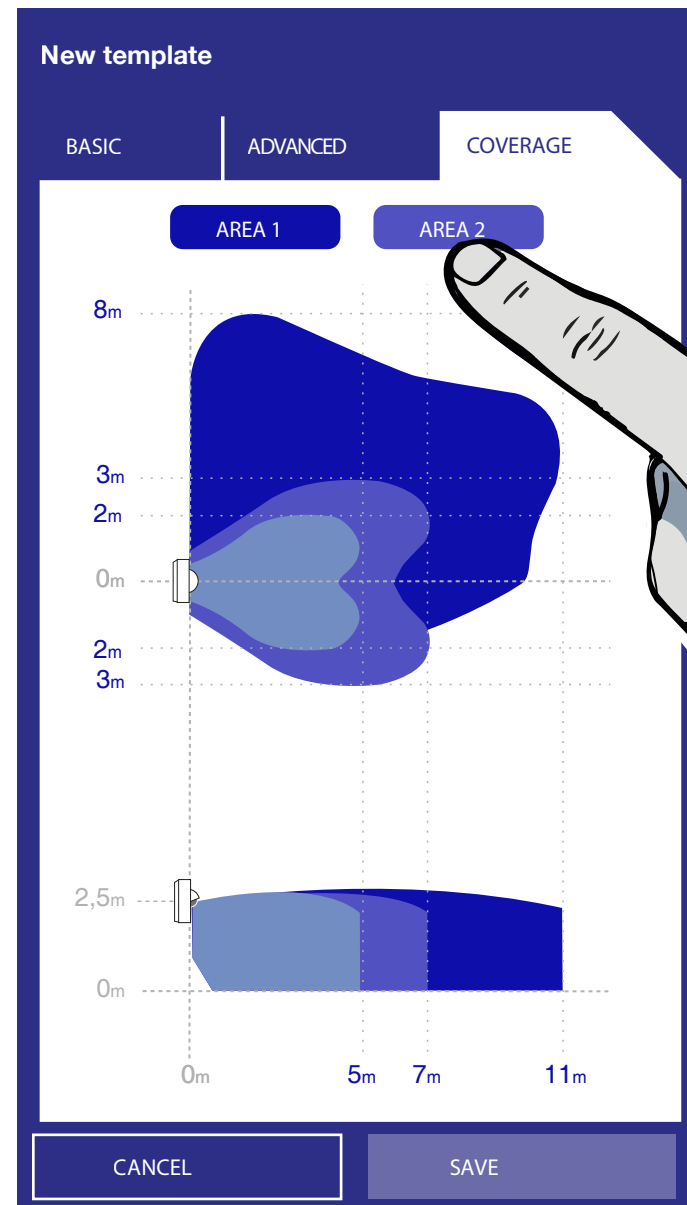
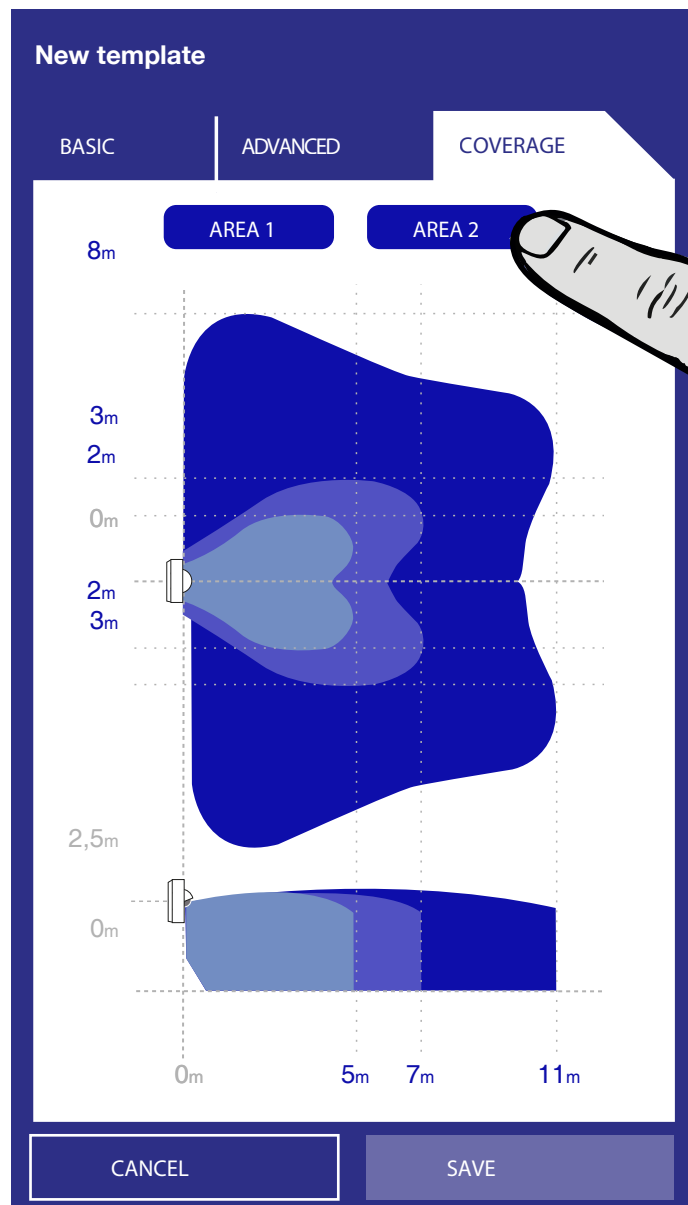
e. In the ADVANCED tab, options not related to detection are selected.



- « Bluetooth active time » sets how long Bluetooth stays active after the detector is powered on.
- « Relay polarity » reverses the detector polarity. The device opens the relay on detection instead of closing the contact.
- « Lock code » lets you enter a 4 digit PIN to prevent unauthorized access to the system.

4 Selective coverage configuration

f. In the **COVERAGE** tab, you can select the detection zones by pressing the **AREA** tabs several times.



g. Once configured, press « **SAVE** » to finish the configuration.



5 Send configuration.

h. Pressing « SEND » makes the system detect nearby devices of the same type as the configured template. After selecting the correct device, the system will indicate a successful send with the message « "Configuration sent" » .



i. If the configuration has been sent correctly, the connected load will flash 3 times to confirm the configuration.



DINUY, S.A.
Auzolan 2
20303 IRUN
T: 943 62 79 88
E: soporte@dinuy.com